

LED Power Amplifier Datasheet



AP-A26

LED amplifier is an RGB amplifier dedicated to LED lighting, using high-current MOSFET output to ensure the high output power of the amplifier: output and input photoelectric isolation, convenient wiring, simple to use: at the same time, it should be used with various RGB controllers, which can meet the application of large-range, high-power output, and synchronous changes required.

To put it simply, the amplifier is connected to the middle of multiple groups of light strips to connect the light strips in series. Theoretically, the 24A amplifier can be connected to an additional 20 meters of strip light on the basis of the original one (depending on the number of strip beads)

Product parameters

Product Name: LED Power Amplifier

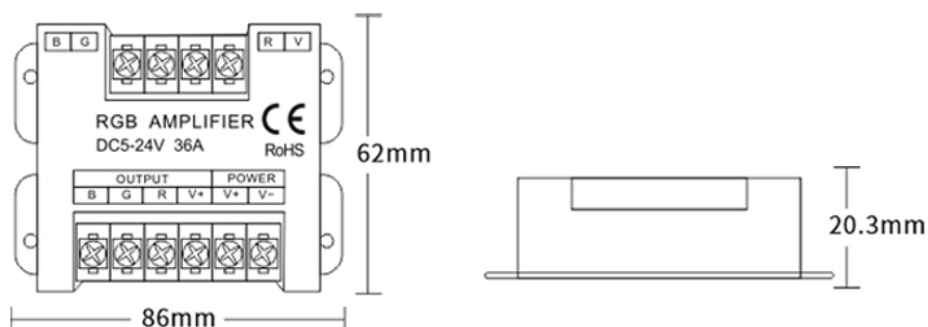
Working voltage: DC5-24V

Output current: Max36A

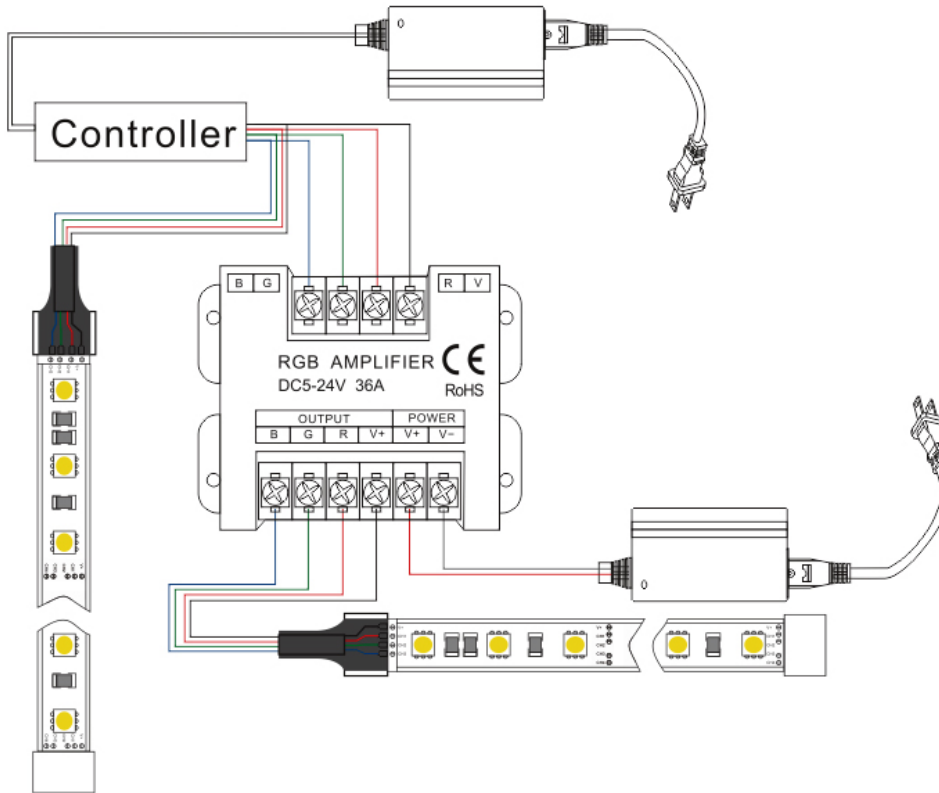
Model: AP-A26

Working mode: Signal synchronization

Product features: PWM signal can accurately control the brightness, color and other parameters of LED



Schematic diagram of wiring



Packing information

SIZE/CM	1PCS	G.W./KG	50PCS
8.6*6.2*2CM	0.092kg	42*29*30CM	9.5kg

Safety and precautions

- Please debug and install this product by professionally qualified personnel.
- This product cannot be waterproof, need to avoid sun and rain, if installed outdoors, please use a waterproof box.
- Good heat dissipation conditions will prolong the service life of the LED controller, please install the product in a well-ventilated environment.
- Please do not install and use such products in lightning and thunder, strong magnetic fields or high voltage occasions.
- Please check whether the output voltage of the LED power supply used meets the requirements of the product voltage range.
- The diameter of the wires used must be large enough to load the connected LED luminaires, and ensure that the wiring is secure to avoid accidents caused by overheating or poor contact of the wires.
- Before power-on commissioning, make sure that all wiring is correct to avoid damage to the lamp due to miswiring.

After-sales service

1. Our LED controller products provide lifelong technical support and warranty services:

Free warranty: This product has quality problems within one year from the date of purchase, and our company will give free repair or replacement service.

Paid warranty: Products that exceed the free warranty period will be charged a certain cost of maintenance materials.

2. The following situations are not covered by the free warranty or replacement service:

Man-made damage such as overvoltage, overload, improper operation, etc.

Any wiring errors, flooding (non-waterproof products) and unauthorized repairs.

Any serious damage or serious deformation of the shape due to transportation, knocking, etc.

The shape of the product is severely damaged or deformed.

Damage caused by natural disasters and force majeure causes, such as earthquakes, floods, fires, etc.

3. The company's maximum responsibility for the factory products is to replace the same model and quantity of products.

4. In order to speed up the timeliness of repair or replacement, please indicate the fault phenomenon, the use environment, and the operation done when the fault occurs, so as to ensure that the maintenance situation is dealt with quickly.