

**Feature:**

- 1, **Common Anode.**
- 2, High-end Product, with long lifetime.
- 3, **Customized Service is available.**

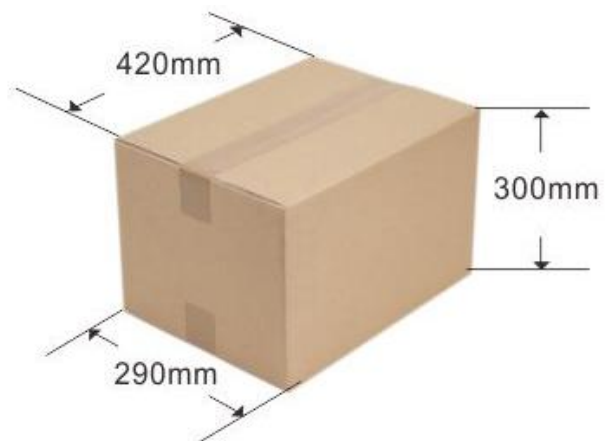
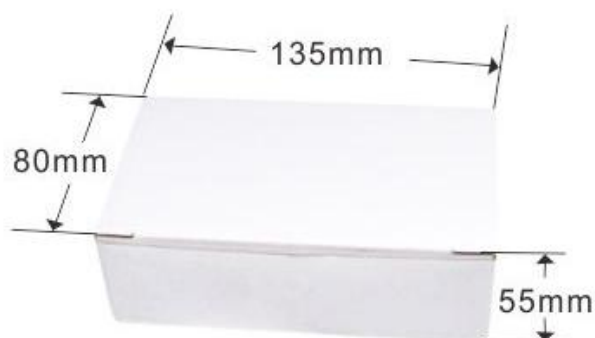
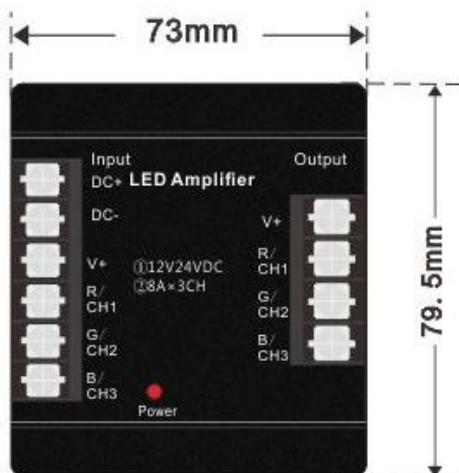
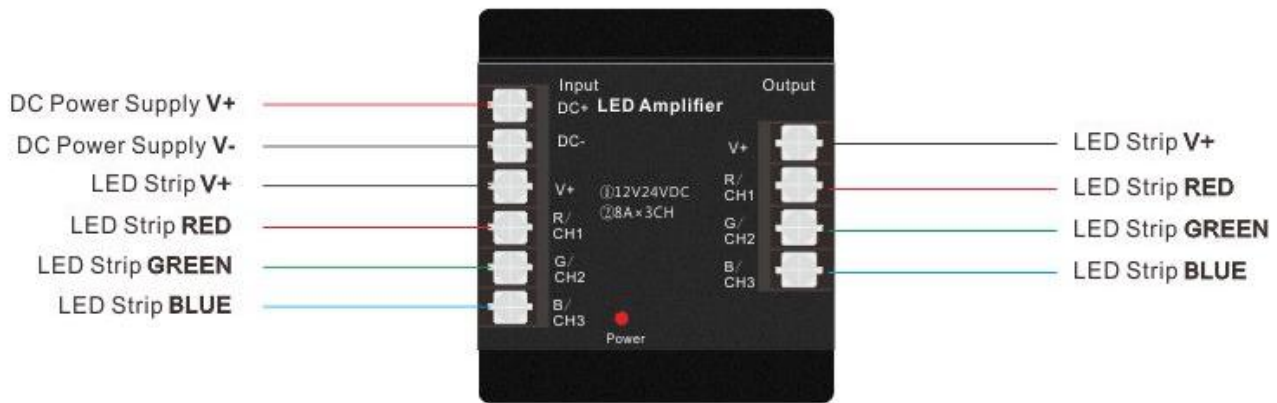
**Specifications:**

Input Voltage: DC12V~24V  
 Output Current: 10A, 3CH  
 Output Power: 12V/360W 24V/720W  
 Operating Temp.: -20C~60C

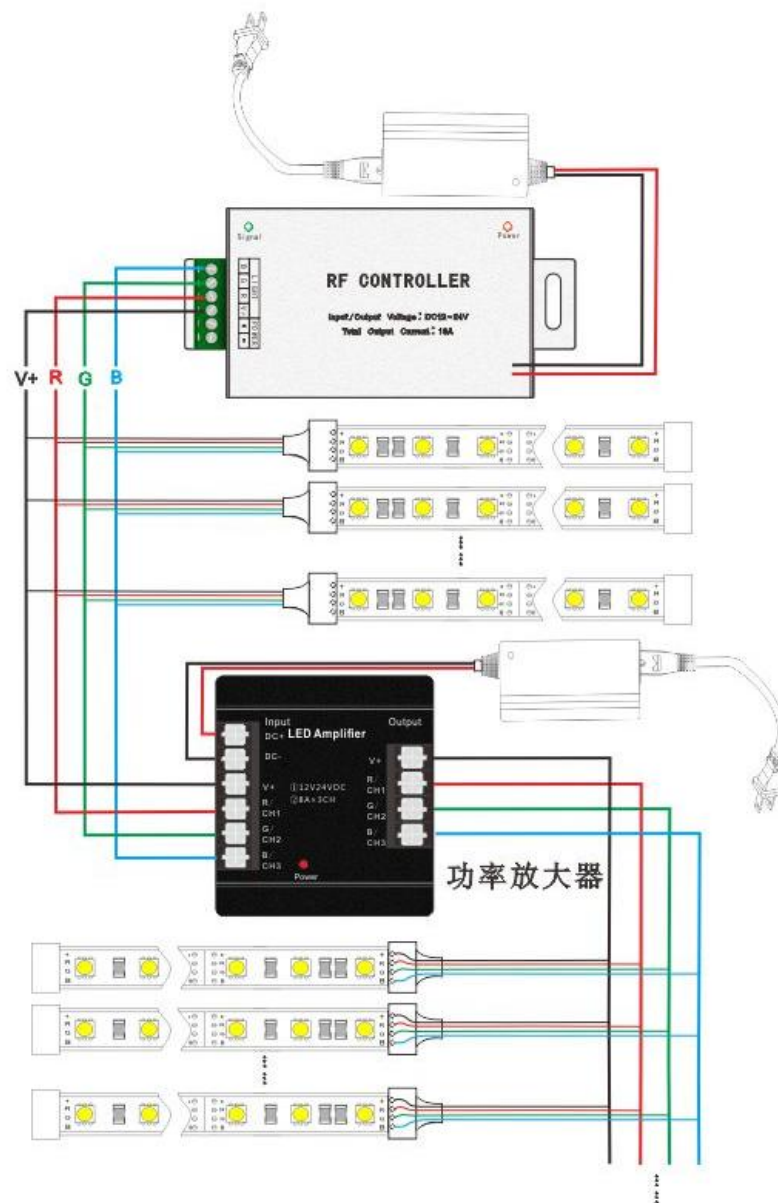


**Packing:**

PCS	Package Box	Weight	Carton Dimension	Gross Weight
50	135*80*55mm	175g	L420×W290×H300mm	10kg



## Connecting Setup:



### Note:

1. Supply voltage of this product is DC12V, never connect to others or AC220V.
2. Uses a separate switching power supply for amplifier, the effect is even better.
3. Lead wire should be connected correctly according to grade that connecting diagram offers.
4. This product is not to overload;
5. Warranty of this product is one year, but exclude the artificial situation of damaged or overload working.