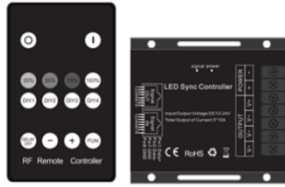
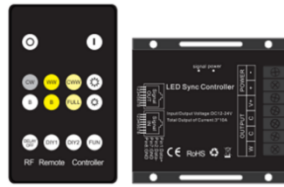


LED synchronous controller manual

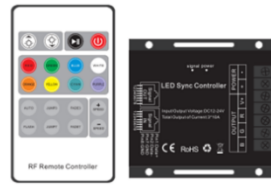
RF 20key



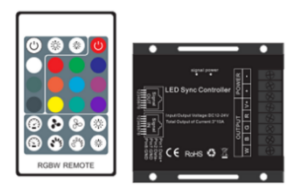
Sync-03-1CH(DIM)



Sync-03-2CH(CW)



Sync-03-3CH(RGB)



Sync-03-4CH(RGBW)

Product Parameters

Operating temperature: -20 °C ~ 60 °C

Output Channel: 1CH/2CH/3CH/4CH

Maximum output current: 10A/CH

power supply voltage: DC12-24V

connection mode: common anode

Remote control button function description

SYNC-03-1CH

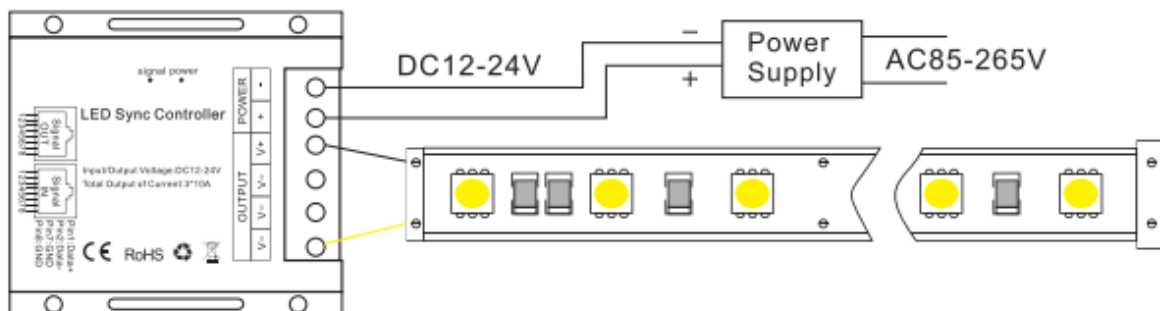
The function of each button as below:

25%	50%	75%	100%	⊙
25% Brightness	50% Brightness	75% Brightness	100% Brightness	OFF
DIY1	DIY2	DIY3	DIY4	I
DIY1	DIY2	DIY3	DIY4	ON
⊙ DELAY OFF	⊖	⊕	⊙ FUN	
DELAY OFF 30s	Brightness/Speed-	Brightness/Speed+	Mode	

Modes in total as below:















NO	Mode	Remarks
1	Static 100% light	Brightness is adjustable, Speed is unadjustable
2	Flash	Speed is adjustable, brightness is unadjustable
3	Fade	

Connect Diagram:



SYNC-03-2CH

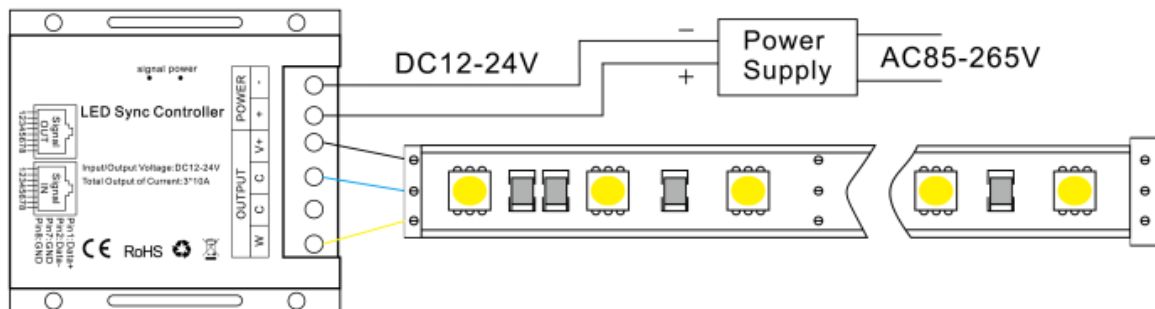
The function of each button as below:

				
Cool	Warm	50% W&C	Brightness/Speed+	OFF
				
DIY C+	DIY W+	100% W&C	Brightness/Speed-	ON
				
DELAY OFF 30s	DIY1	DIY2	Mode	

Modes in total as below:

NO	Mode	Remarks
1	CW and WW flash alternately	Speed is adjustable, brightness is unadjustable
2	CW and WW fade alternately	
3	CW and WW flash	
4	CW and WW fade	
5	WW flash	
6	WW fade	Speed is adjustable, brightness is unadjustable
7	CW flash	
8	CW fade	

Connect Diagram:

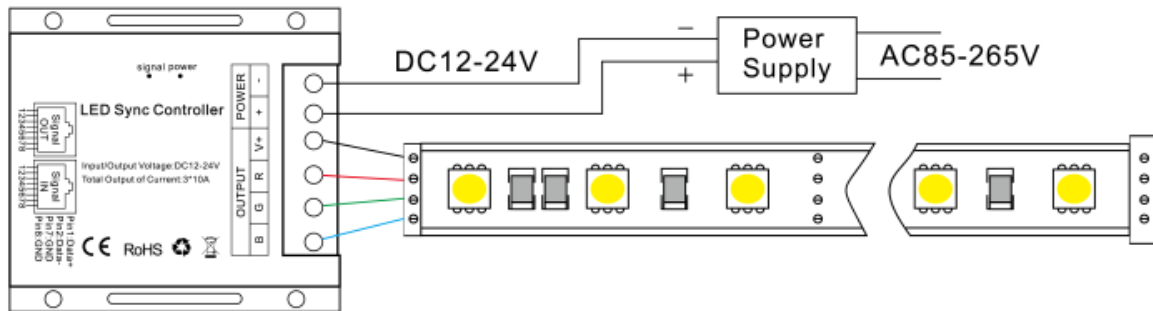


SYNC-03-3CH

The function of each button as below:

Brightness+ In Static Mode	Brightness- In Static Mode	Pause/Run	ON/OFF	Static White	Static Red	Static Green
Automatic change	Single color flush	3 Colors jump	7 Colors jump	Static Blue	Static Orange	Static Yellow
3 Colors fade change	7 Colors fade change	Speed +	Speed -	Static Cyan	Static Purple	

Connect Diagram:

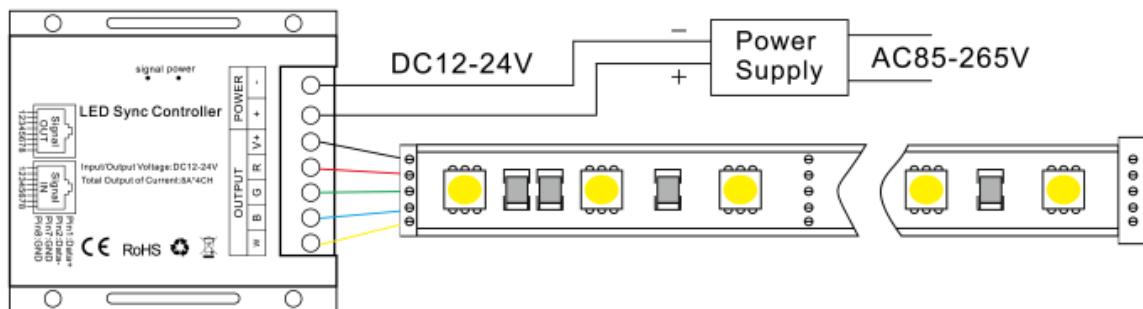


SYNC-03-4CH

The function of each button as below:

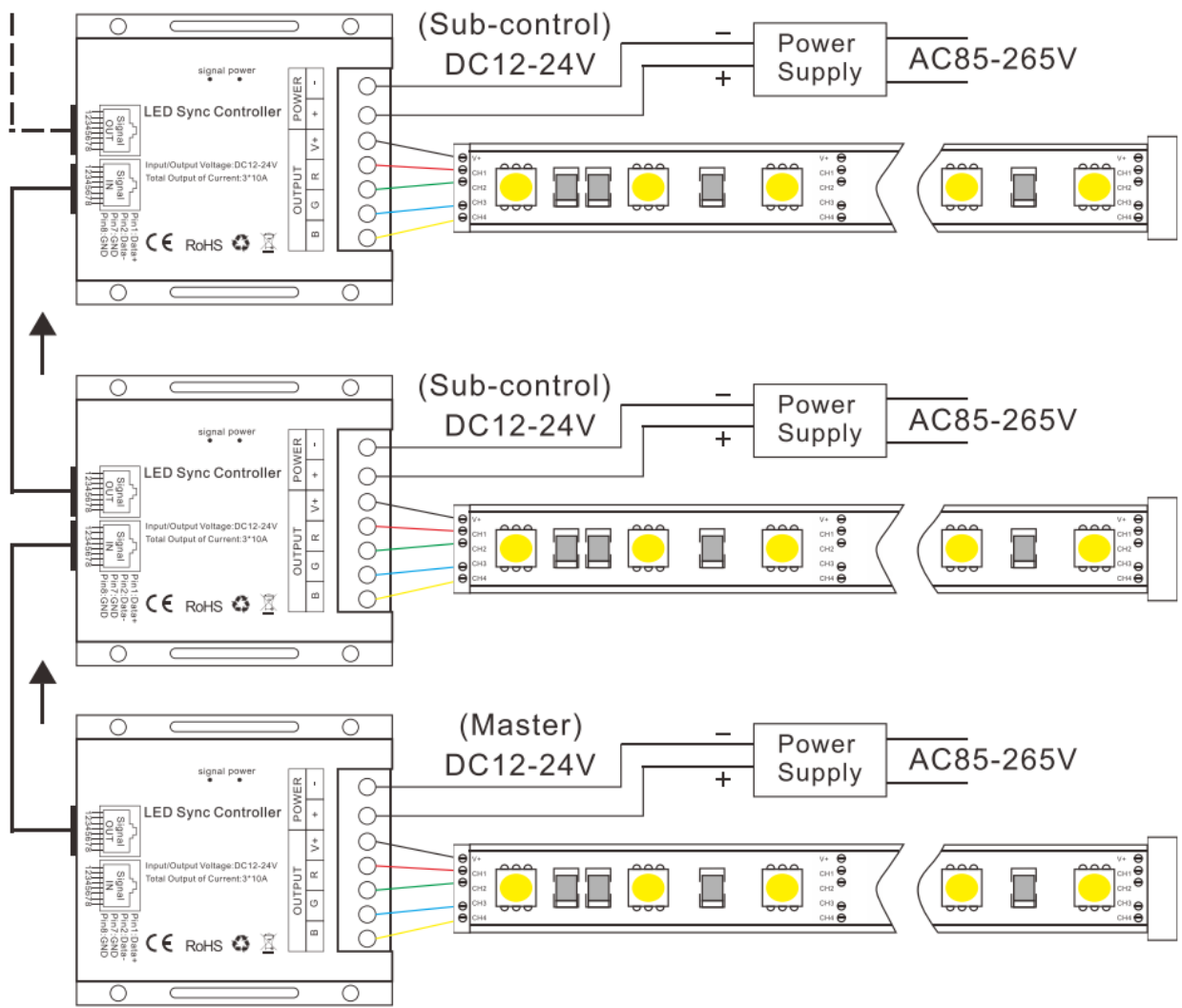
White light ON/OFF	White light Brightness+	White light Brightness-	RGB ON/OFF
White light			
White light 50% Brightness			
White light 30% Brightness	Color Buttons		
Speed+	3-Colors Jump	3-Colors Flash	RGB Brightness+
Speed-	7-Colors Jump	7-Colors Flash	RGB Brightness-

Connect Diagram:

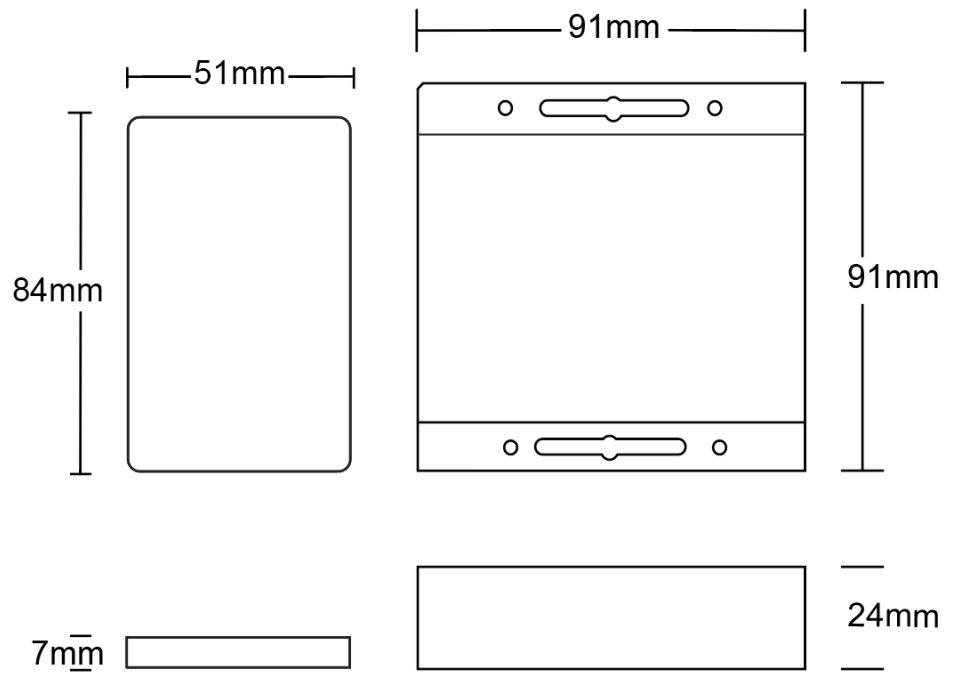


Synchronous Connection method:

Connect the connected controller with network cable at the corresponding network port output (OUT) and input (IN).



Product Size



Product packaging



Controller size	Remote control size	White box size	Weight/set
91*91*24mm	84*51*7mm	135*80*55mm	200g

Note:

1. Please debug and install this product by personnel with professional qualifications.
2. This product cannot be waterproof and needs to avoid sun and rain. If installed outdoors, please use a waterproof tank.
3. Good heat dissipation conditions will prolong the service life of LED controller. Please install the product in a well-ventilated environment.
4. Please do not install and use such products in lightning, thunder, strong magnetic field or high voltage.
5. Please check whether the output voltage of the LED power supply used meets the requirements of the product voltage range.
6. The diameter of the used wire must be sufficient to load the LED lamps connected, and ensure that the wiring is firm to avoid accidents caused by overheating of the wire or poor contact.
7. Before power-on and debugging, ensure that all wiring is correct to avoid lamp damage caused by wiring errors.