

AP-S101 Introduction

Feature:

- 1, **LED Remote Dimmer.** Remote distance >20m
- 2, Blister Packing. It helps to save delivery cost. It's simply for user.
- 3, OEM / Customized is available.

Application:

Widely and easily used to control LED light.

Specifications:

- Voltage: DC12V~24V
- Current: Max 6A /Channel
- Power: 216w / 432w
- Operating Temp.: -20C~60C
- Remote Standby: 0.5mw.



Remote Interface:



- 1, OFF
- 2, ON / Modes Switching
- 3, Brightness Increasing / Auto Changing Speed Increasing
- 4, Brightness Decreasing / Auto Changing Speed Decreasing
- 5, Brightness Adjust Ring
- 6, Max Brightness
- 7, 50% Max Brightness
- 8, The Remote Holder

Code matching (Match the Remote to the Controller):



Defaults Code: one Remote can control multi controllers

If you want to **match a Remote to one certain Controller**, you need to match the code of this Remote to the Controller.

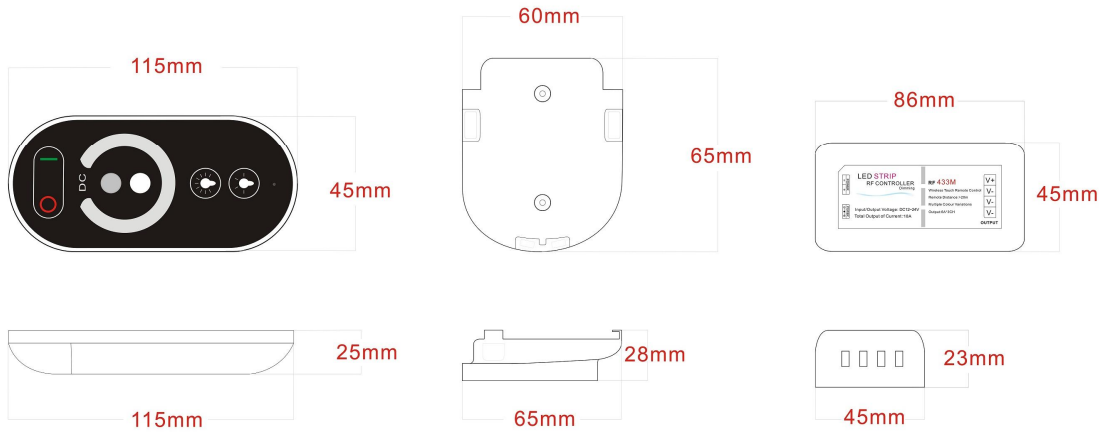
Here Below shows you how to match the code:

- 1, Power on the Controller, and **within 5 seconds**, synchronously press the 2 keys on the Remote. As left image shown.
- 2, When the code matched successfully, the stripe (lighting) would triply flicker.

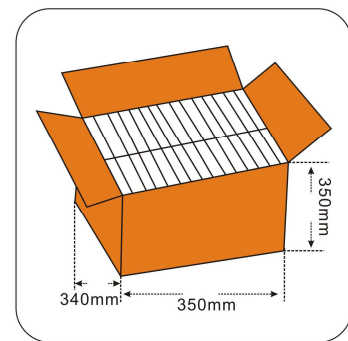
Controller Interface:



Mechanical Dimension:



Packing:



Controller	Remote	Pack Dimension	Weight	Carton Dimension	Gross Weight
L86*W45*H23mm	L115*W45*H25mm	L200*W135*H32mm	150g	L420*W290*H300mm	15kg

Connecting Setup:

