

AP-1202 Introduction

Feature:

- 1, **2.4GHz RF Remote Control.** Remote distance >20m
- 2, **RGBW Controller**
- 3, Blister Packing. It helps to save delivery cost. It's simply for user.
- 4, OEM / Customized is available.

Application:

Widely and easily used to control LED light.

Specifications:

Voltage: DC12V~24V

Current: Max 6A /Channel

Power: 288w / 576w

Operating Temp.: -20C~60C

Remote Standby: 0.5mw.

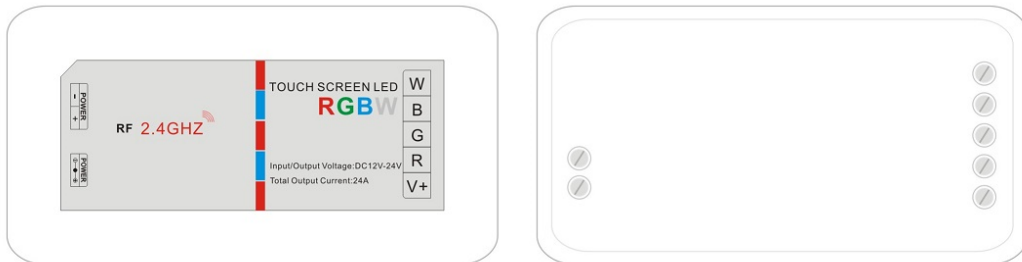


Remote Interface:



- 1, ON
- 2, OFF
- 3, Color Adjust Ring
- 4, Indicator Light
- 5, Brightness Adjust
- 6, Changing Rate Adjust
- 7, Operation Modes Selecting

Controller Interface:



Code matching (Match the Remote to the Controller):



Defaults Code: one Remote can control multi controllers

If you want to **match a Remote to one certain Controller**, you need to match the code of this Remote to the Controller.

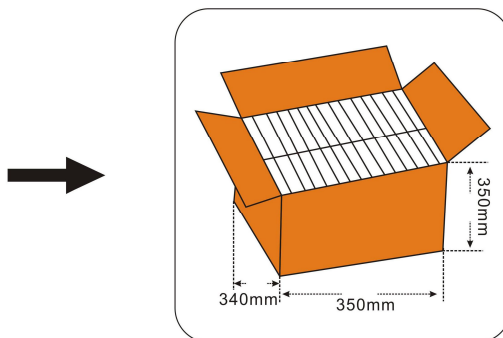
Here Below shows you how to match the code:

- 1, Power on the Controller, and **within 5 seconds**, synchronously press the 2 keys on the Remote. As left image shown.
- 2, When the code matched successfully, the stripe (lighting) would triply flicker.

Mechanical Dimension:



Packing:



Controller	Remote	Pack Dimension	Weight	Carton Dimension	Gross Weight
L86*W55*H23mm	L110*W53*H20mm	L130*W130*H28mm	150g	L420×W290×H300mm	15kg

Connecting Setup:

