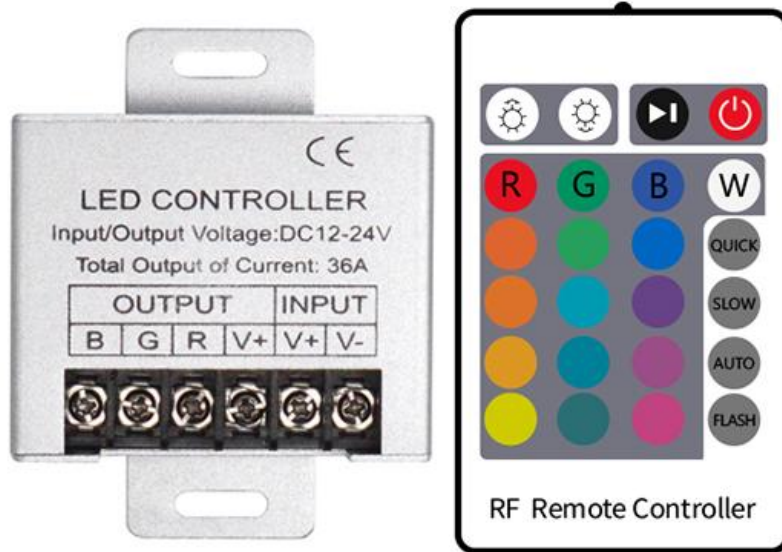


Product Specification



Model: AP-046RF

Name: 24-key RF aluminum shell 50mm high power

[Brand]: AIPIN-TECH

[Product name]: 24-key RF aluminum shell 50mm high power

[Model]: AP-046RF

[Operating voltage]: DC 12-24V

[Product weight]: 115g

[Controllable light bar]: 20 meters per 10 meters amplifier can be infinitely connected to the light bar

● Overview

The infrared controller adopts advanced computer control chip, which is used to control all kinds of 12v lamps with led as the light source, such as: LED advertising module, point light source, soft light bar, wall washing lamp, glass curtain wall lamp, etc.; It has the advantages of convenient wiring and simple use; This product has 19 change modes, which can realize three-color jump, gradient, stroboscopic, static color and other light change effects according to the actual needs of customers, avoid frequent settings.

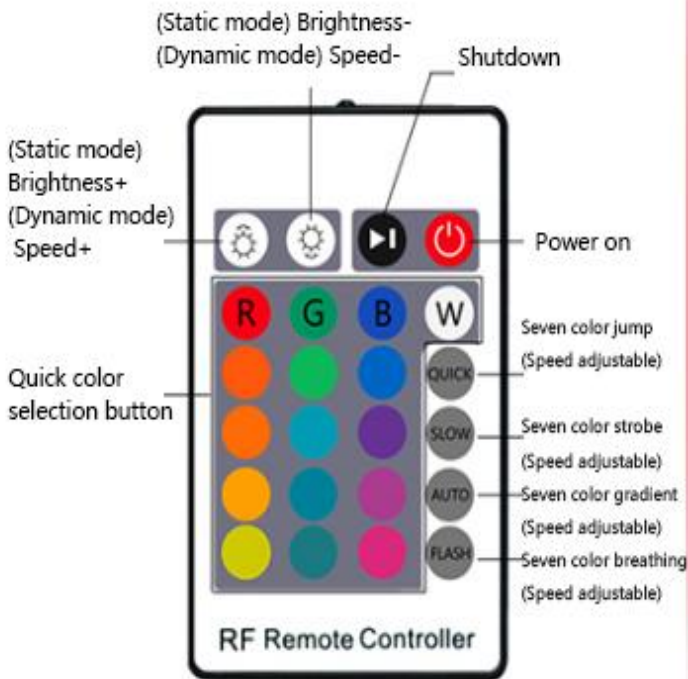
● Features

1. Input voltage adaptive DC12 ~ 24V, with input polarity protection function.
2. Advanced PWM (pulse width modulation) control technology is adopted, with fine change effect and no flicker.
3. Strong driving load capability and stable performance.
4. Wireless infrared remote control, no direction, remote control distance is not less than 20m.
5. The remote controller has low power consumption and long standby time.
6. It Has Memory functions such as color, mode, speed and brightness.
7. The appearance is novel, beautiful and elegant, especially suitable for indoor home and commercial places.

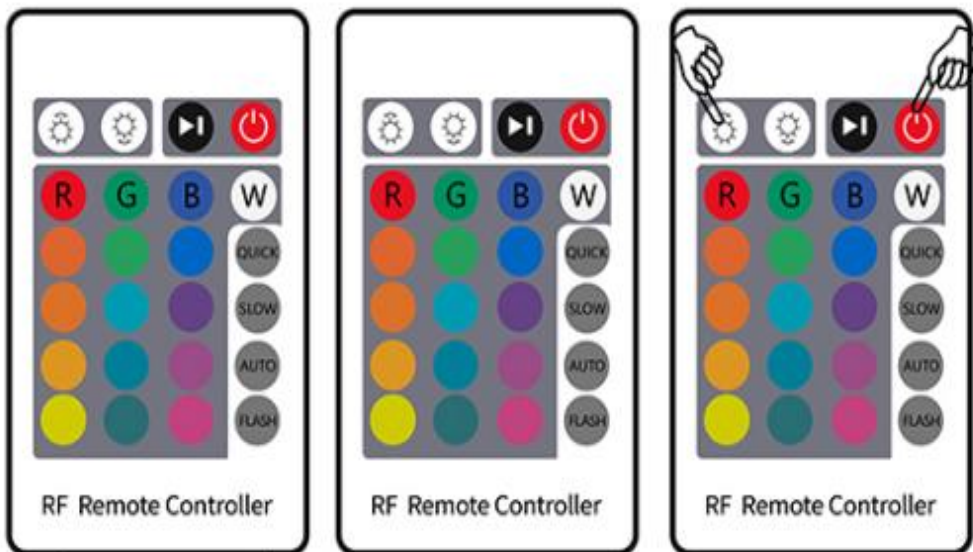
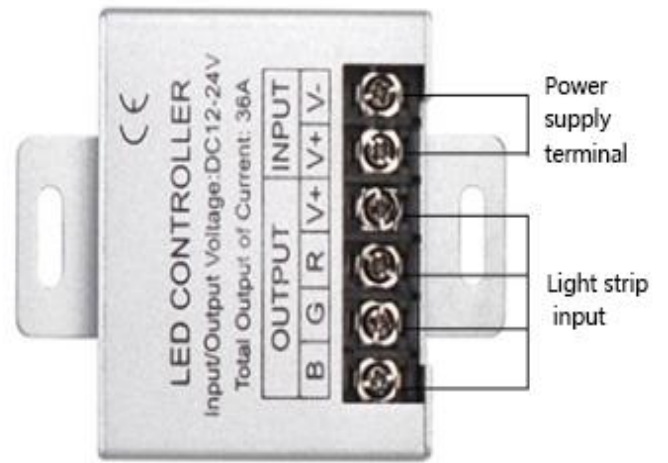
● Technical parameters

Complete machine	
Operating temperature	-20°C~60°C
Operating voltage	DC 5-24V
Output mode	Common positive connection
Output Control mode	PWM
Packing size	L135*W83*H55 mm
Control mode	Infrared signal
Weight (gross weight)	115g
Output power	5V < 180W, 12V < 360W, 24V < 864W

Remote control touch button function



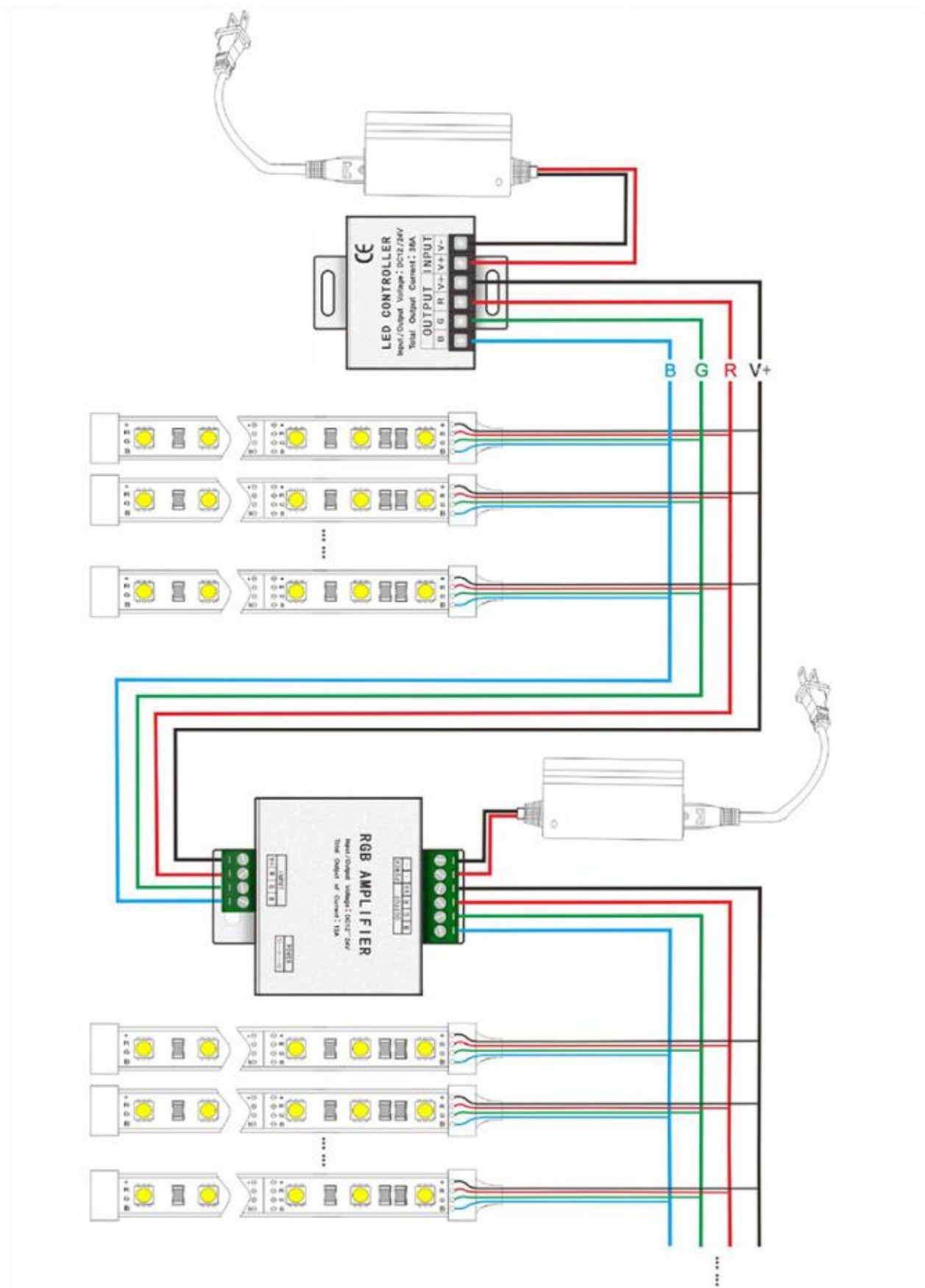
Controller touch button function

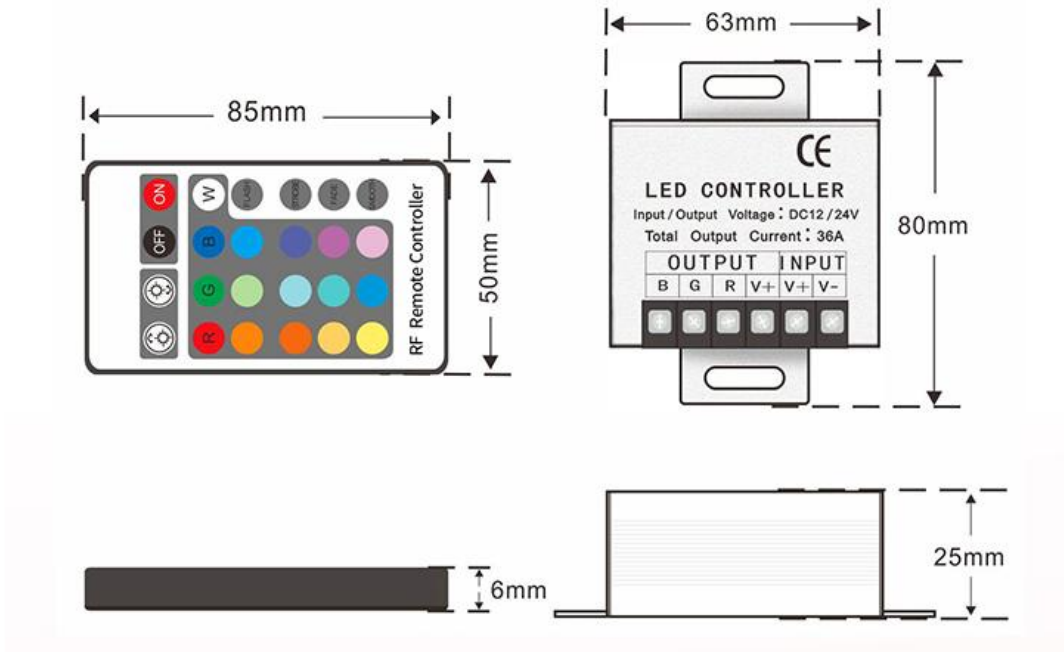



Pull film down


Drawn out for use

● Connection diagram





Controller size	Remote control size	Box size	Weight/set	Carton size	Weight/box
L63*W80*H25mm	L85*W50*H6mm	L138*W83*H55mm	115g	L420*W290*H300mm	6.5kg

● Installation Precautions

1. Please debug and install this product by personnel with professional qualifications.
2. This product cannot be waterproof and needs to avoid sun and rain. If installed outdoors, please use a waterproof tank.
3. Good heat dissipation conditions will prolong the service life of LED controller. Please install the product in a well-ventilated environment.
4. Please do not install and use such products in lightning, thunder, strong magnetic field or high voltage.
5. Please check whether the output voltage of the LED power supply used meets the requirements of the product voltage range.

6. The diameter of the used wire must be sufficient to load the LED lamps connected, and ensure that the wiring is firm to avoid accidents caused by overheating of the wire or poor contact.

7. Before power-on and debugging, ensure that all wiring is correct to avoid lamp damage caused by wiring errors.

● After-sales service

1. Our LED controller products provide lifelong technical support and warranty services:

Free warranty: Our company will provide free repair or replacement service if there is any quality problem within one year from the date of purchase.

paid warranty: for products beyond the free warranty period, a certain cost of maintenance materials will be charged.

2. The following conditions are not covered by free warranty or replacement services:

Excessive damage caused by human beings such as high voltage, overload, improper operation, etc.

Any wiring errors, water immersion (non-waterproof products) and unauthorized maintenance.

Any serious damage or deformation of the shape caused by transportation or knocking.

The appearance of the product is seriously damaged or deformed.

Damage caused by natural disasters and force majeure, such as earthquakes, floods, fires, etc.

3. The company's greatest responsibility for ex-factory products is to replace products of the same model and quantity.

4. In order to speed up the maintenance or replacement time, please indicate the failure phenomenon, use environment and operation when the failure occurs to repair the product, so as to ensure that the maintenance situation can be handled quickly.