

3-key RF plastic shell single-way



Model: AP-045RF name: 3-key RF plastic shell single-way controller

Product Application

3-key RF plastic shell single-way controller is an LED dimming controller that can realize stepless dimming. Using radio frequency remote control mode, users can adjust the light to appropriate brightness according to actual needs.

Product Application

Suitable for indoor lighting, office, gym, library, workshop, stage lighting and other places.

Application parameters

Supply voltage	DC12V-24V
Output mode	1 loop

Output power	9V<72W,12V<96W,24V<192W
Output Current	<8A
Static Power	<1W
Connection method	Gongyang
Operating temperature	-20-60°

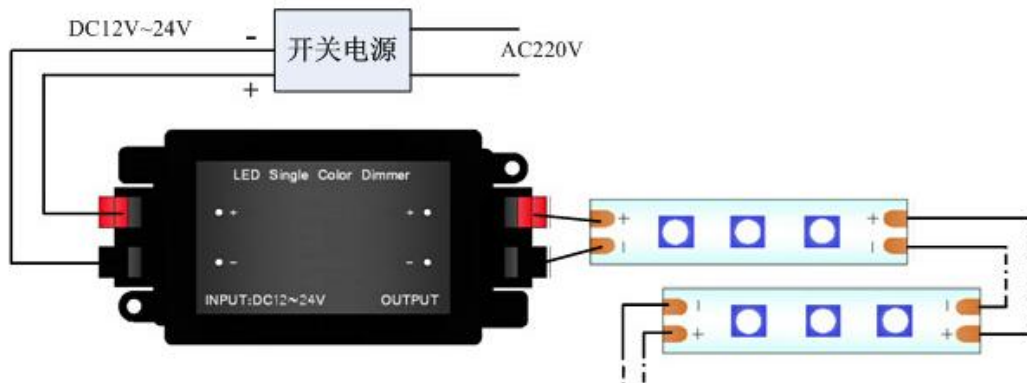
Product Description



Code matching function:

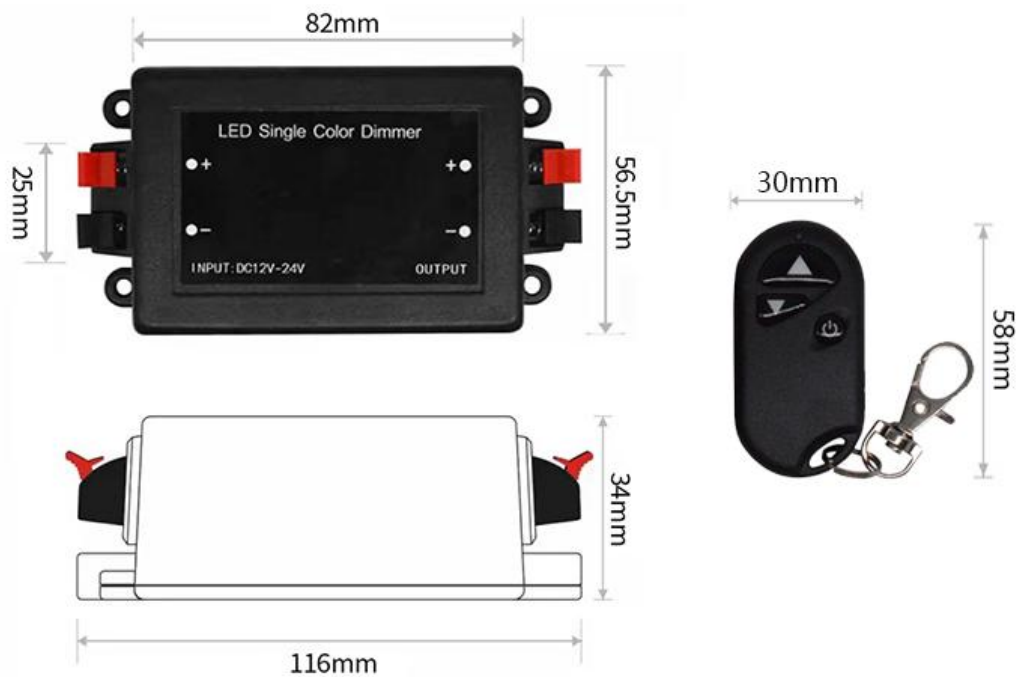
Within 5 seconds after the controller is powered on, press the "power-on key" and then press the "brightness-key". The light bar will flicker three times, that is, the code matching is successful.

Product link diagram



Size

1. Product size



2. Packing size

White box size	Weight/set	Carton size	Weight/box (50 sets)
L135*70*H40mm	156g	L420×W290× H300mm	8.5kg

Product Accessories



Remote



Controller



Instructions

Installation Precautions

1. Please debug and install this product by personnel with professional qualifications.
2. This product cannot be waterproof and needs to avoid sun and rain. If installed outdoors, please use a waterproof tank.
3. Good heat dissipation conditions will prolong the service life of LED controller. Please install the product in a well-ventilated environment.
4. Please do not install and use such products in lightning, thunder, strong magnetic field or high voltage.
5. Please check whether the output voltage of the LED power supply used meets the requirements of the product voltage range.
6. The diameter of the used wire must be sufficient to load the LED lamps connected, and ensure that the wiring is firm to avoid accidents caused by overheating of the wire or poor contact.
7. Before power-on and debugging, ensure that all wiring is correct to avoid lamp damage caused by wiring errors.